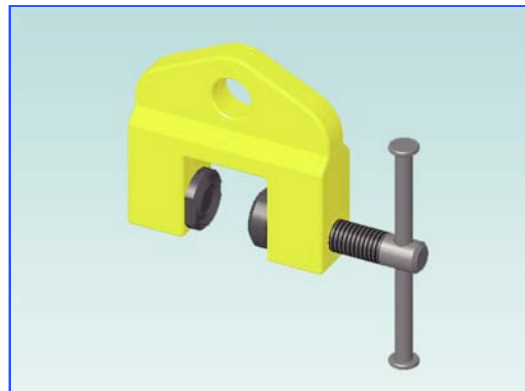
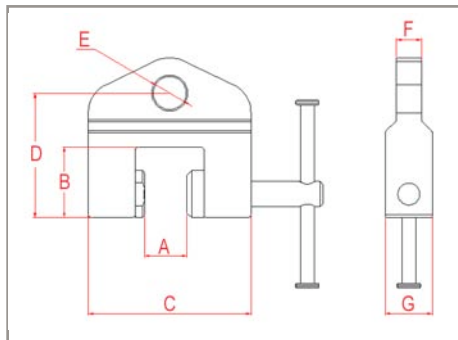


# mod. SH Horizontal screw clamp

“SH” is a clamp able to lift, rotates and pull plates or structural beams. Tighten screw making sure that gripping surfaces are parallel to the surfaces of the member to be lifted and not partially on and off the edge of the plate.



CODE.	CAPACITY TON	A	B	C	D	E	F	G	WEIGHT KG
		MM	MM	MM	MM	MM	MM	MM	
CSH00500	0,5	0 - 19	43	100	83	25	16	35	3
CSH01500	1,5	0 - 32	60	130	99	35	24	50	4
CSH03000	3,0	0 - 51	67	170	120	45	34	60	7