

mod. **CSZ** Rails horizontal lifting  
without locking device

CSZ clamp is used for horizontal lifting of rails by positioning the clamp around the load.

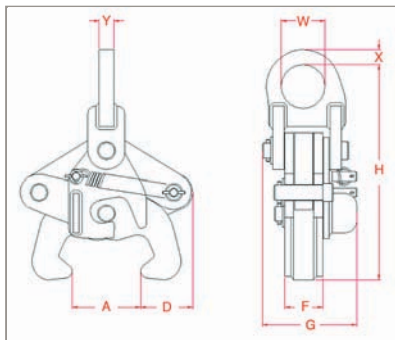
This model must be hold in position until force is applied on the lifting shackle by the crane, and it requires constant tension during the entire lifting operation.

A "Lock-Open" lever allows the clamp to be maintained in open position to place and remove the clamp from the load.

It is recommended to use in pair and preferably with a spreader bar.

Do ascertain the real centre of gravity to avoid rail sliding.

Remove clamp only after the load is completely supported and at rest in a permanent stable position.



CODE	CAPACITY TON	A	D	F	G	H		W	X	Y	WEIGHT KG
		OPENING	MM	MM	MM	MM	MM				
CSZ02500	2,5	20-100	55	51	127	290	375	59	20	20	11,6
CSZ04500	4,5	20-100	55	60	135	310	395	59	25	25	18,0