

mod. **CPV** Steel rod coils vertical lifting
with automatic open/close device

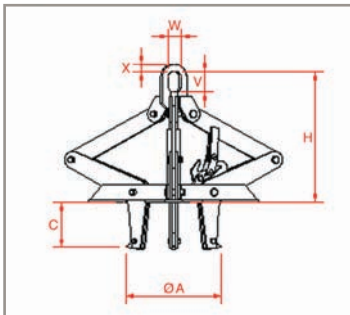
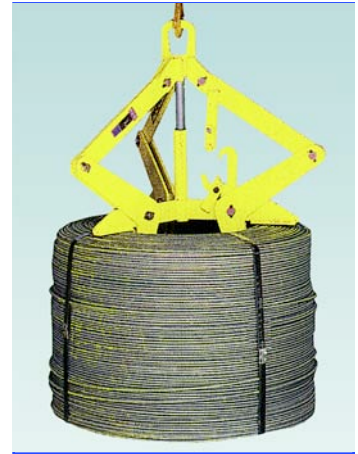
CPV clamp is particularly suited to lift steel rod coils from the inside.

The clamp is composed by three arms placed in a tripod configuration, and joined on to a central stem that act as a lifting shackle.

The crane force applied to the shackle activates the expansion of the arms that will grab the coil firmly.

The automatic Open and Close mechanism allows the operations of loading and unloading without the intervention of man power. Clamp can be removed when the locking and unlocking mechanism is in "open" position.

Remove clamp only after the load is completely supported and at rest in a permanent stable position.



CODE	CAPACITY TON	A	C	H	J	V	W	X	Y	WEIGHT KG
		OPENING MM	MM	MM	MM	MM	MM	MM	MM	
CPV03000	3	550-800	250	940	950	105	77	35	20	110