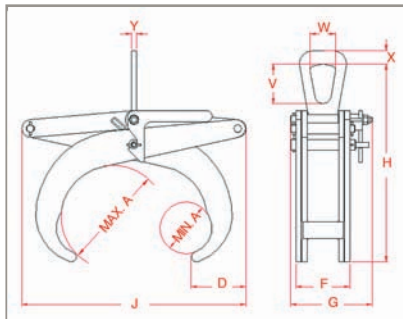


## mod. **CP** Round profiles horizontal lifting without locking device

CP tong is used for horizontal lifting of tubes, pipes, and round shaped structures by positioning the clamp around the load. This model must be hold in position until force is applied on the lifting shackle by the crane, and it requires constant tension during the entire lifting operation.

A "Lock-Open" lever allows the clamp to be maintained in open position to place and remove the clamp from the load. It is recommended to be used in pair and preferably with a spreader bar (see page 22).

Do ascertain the real centre of gravity to avoid hard sliding. Remove clamp only after the load is completely supported and at rest in a permanent stable position.



CODE	CAPACITY TON	A DIAMETER MM	D MM	F MM	G MM	H (min - max)		J MM	V MM	W MM	X MM	Y MM	WEIGHT KG
						MM	MM						
CCP00750	0,75	50 - 100	70	142	213	310	410	230	100	78	25	10	8
CCP01200	1,20	150 - 300	160	162	244	610	890	670	120	75	36	15	37
CCP01750	1,75	100 - 200	75	150	223	520	670	400	120	75	40	15	23
CCP02300	2,30	150 - 300	164	160	244	590	972	670	120	77	40	15	56