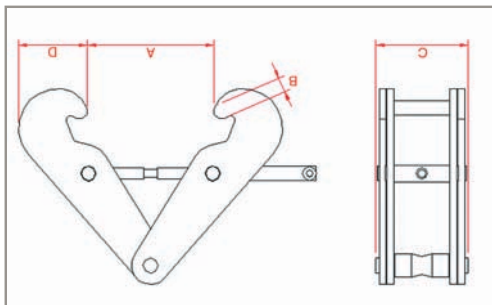


## mod. **CB** Suspension point

CB clamp is primarily used as a upper or lower suspension point for hoists, chains, and rigging devices.

The clamp is formed by two elements connected together with a screw par that allows the clamp to be adapted to a large range of flange sizes.

Remove clamp only after the load is completely supported and at rest in a permanent stable position.



CODE	CAPACITY TON	<b>A</b>	<b>B</b>	<b>C</b>	<b>D</b>	WEIGHT KG
		OPENING MM	MM	MM	MM	
CB00500	0,5	90-300	8-30	42	136	8,6